

Craftmade

CEILING FANS

Est. 1985

READ THESE INSTRUCTIONS
AND SAVE THEM FOR FUTURE USE



Tempo Hugger 44in.

Installation Guide

For Models:

TMPH44BNK5

TMPH44CH5

TMPH44OB5

TMPH44W5

Table of Contents:

Safety Tips. pg. 1

Unpacking Your Fan. pg. 2

Parts Inventory. pg. 2

Installation Preparation. pg. 3

Mounting Plate Installation. pg. 3

Preparation for Wiring. pg. 4

Wiring. pgs. 4 - 5

Fan Assembly. pg. 5

Blade Assembly. pg. 6

Light Kit Assembly (Optional). pgs. 6 - 7

Assembly of Handheld Remote Control. pg. 7

Automated Learning Process./

Activating Code. pg. 8

Remote Control Operation. pg. 8

Testing Your Fan. pg. 8

Troubleshooting. pg. 9

Warranty. pg. 9

Parts Replacement. pg. 9



net weight of fan: 18.54 lb (8.43 kg)

PRINTED IN CHINA

SAFETY TIPS.

WARNING: To reduce the risk of electrical shock, turn off the electricity to the fan at the main fuse box or circuit panel before you begin the fan installation or before servicing the fan or installing accessories.

1. **READ ALL INSTRUCTIONS AND SAFETY INFORMATION CAREFULLY BEFORE INSTALLING YOUR FAN AND SAVE THESE INSTRUCTIONS.**

CAUTION: To avoid personal injury, the use of gloves may be necessary while handling fan parts with sharp edges.

2. Make sure all electrical connections comply with Local Codes or Ordinances, the National Electrical Code, and ANSI/NFPA 70-1999. If you are unfamiliar with electrical wiring or if the house/building wires are different colors than those referred to in the instructions, please use a qualified electrician.
3. Make sure you have a location selected for your fan that allows clear space for the blades to rotate, and at least seven (7) feet (2.13 meters) of clearance between the floor and the fan blade tips. The fan should be mounted so that the tips of the blades are at least thirty (30) inches (76 centimeters) from walls or other upright structures.
4. The outlet box and ceiling support joist used must be securely mounted, and capable of supporting at least 35 pounds (16 kilograms). The outlet box must be supported directly by the building structure. Use only CUL (Canada) or UL (USA) listed outlet boxes marked "FOR FAN SUPPORT."

WARNING: To reduce the risk of fire, electrical shock, or personal injury, mount to the outlet box marked "Acceptable for Fan Support of 15.9 kg (35 lb.) or less," and use the mounting screws provided with the outlet box. Most outlet boxes commonly used for the support of lighting fixtures are not acceptable for fan support and may need to be replaced. Consult a qualified electrician if in doubt.

WARNING: To reduce the risk of fire, electrical shock, or personal injury, wire connectors provided with this fan are designed to accept only one 12 gauge house wire and two lead wires from the fan. If your house wire is larger than 12 gauge or there is more than one house wire to connect to the corresponding fan lead wires, consult an electrician for the proper size wire connectors to use.

5. Electrical diagrams are for reference only. Light kits that are not packed with the fan must be CUL (Canada) or UL (USA) listed and marked suitable for use with the model fan you are installing. Switches must be CUL (Canada) or UL (USA) general use switches. Refer to the instructions packaged with the light kits and switches for proper assembly.
6. After installation is complete, check that all connections are absolutely secure.
7. After making electrical connections, spliced conductors should be turned upward and pushed carefully up into the outlet box. The wires should be spread apart with the grounded conductor and the equipment-grounding conductor on opposite sides of the outlet box.

WARNING: To reduce the risk of electrical shock, fire and to prevent humming noise do not use this fan with any solid state speed control device or control fan speed with a full range dimmer switch. [Using a full range dimmer switch to control fan speed will cause a loud humming noise from fan.] (**Note:** This fan *is* suitable for use with remote control.)

8. Do not operate the reverse switch until fan has come to a complete stop. (**Note:** If using remote control with reverse capability, reverse fan blade direction *only* when on LOW speed.)
9. Do not insert anything between the fan blades while they are rotating.

WARNING: To reduce the risk of personal injury, do not bend the blade arms during assembly or after installation. Do not insert objects into the path of the blades.

WARNING: To avoid personal injury or damage to the fan and other items, be cautious when working around or cleaning the fan.

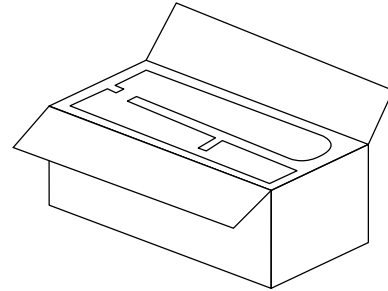
10. Do not use water or detergents when cleaning the fan or fan blades. A dry dust cloth or lightly dampened cloth will be suitable for most cleaning.

WARNING: To reduce the risk of personal injury, use *only* parts provided with this fan. **The use of parts OTHER than those provided with this fan will void the warranty.**

NOTE: The important safety precautions and instructions appearing in the manual are not meant to cover all possible conditions and situations that may occur. It must be understood that common sense and caution are necessary factors in the installation and operation of this fan.

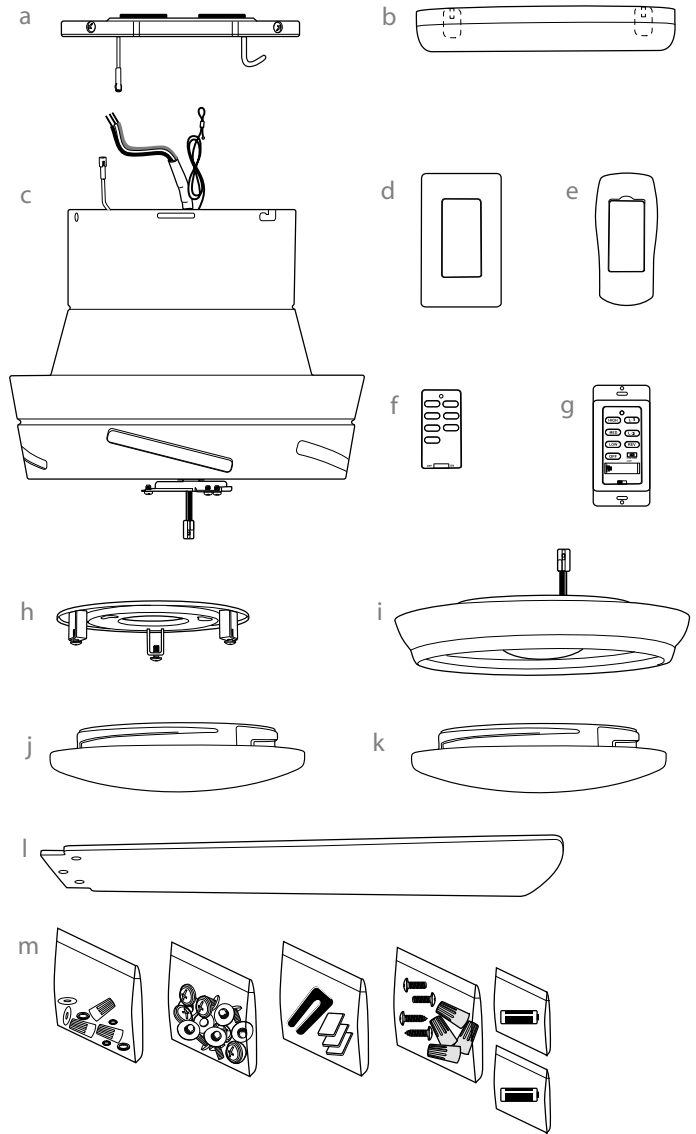
1. Unpacking Your Fan.

Carefully open the packaging. Remove items from Styrofoam inserts. Remove motor housing and place on carpet or Styrofoam to avoid damage to finish. Do not discard fan carton or Styrofoam inserts should this fan need to be returned for repairs. Check against parts inventory that all parts have been included.



2. Parts Inventory.

- a. mounting plate. 1 piece
- b. housing ring. 1 piece
- c. motor housing. 1 piece
- d. wall plate. 1 piece
- e. remote control cover. 1 piece
- f. faceplate. 3 pieces
- g. wall control. 2 pieces
- h. fitter plate. 1 piece
- i. LED light kit. 1 piece
- j. glass shade. 1 piece
- k. metal cover. 1 piece
- l. blade. 5 pieces
- m. hardware packs

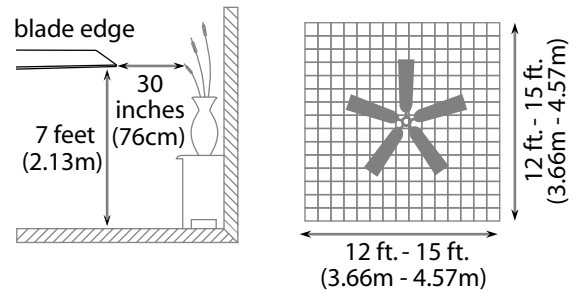


⚠ IMPORTANT REMINDER: You must use the parts provided with this fan for proper installation and safety. **⚠**

3. Installation Preparation.

To prevent personal injury and damage, ensure that the hanging location allows the blades a clearance of 7ft. (2.13m) from the floor and 30in. (76cm) from any wall or obstruction.

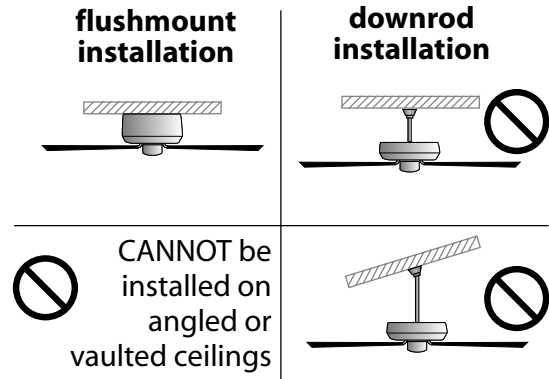
This fan is suitable for room sizes up to 225 square feet (20.9 square meters).



This fan can be mounted as a **flushmount** on a regular (no-slope) ceiling *only*. **Downrod** installations are **not** available for this fan.

Installation requires these tools:

Phillips screwdriver, flat-head screwdriver, adjustable pliers or wrench, stepladder, wire cutters, and rated electrical tape.



4. Mounting Plate Installation.

Turn off circuit breakers to current fixture from breaker panel and be sure operating light switch is turned to the OFF position.

WARNING: Failure to disconnect power supply prior to installation may result in serious injury.

Remove existing fixture.

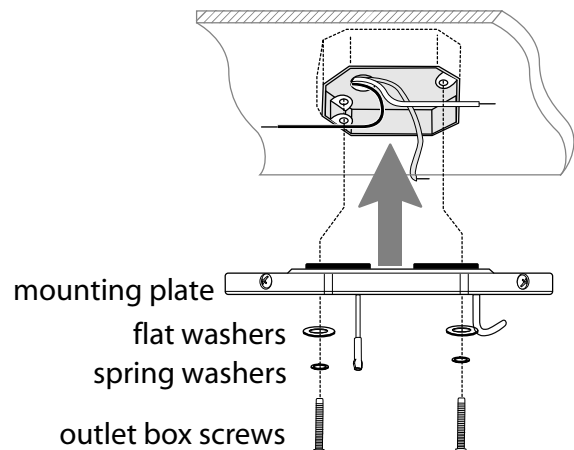
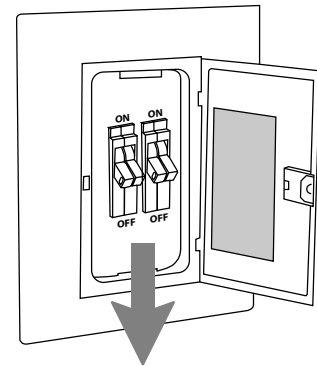
WARNING: When using an existing outlet box, be sure the outlet box is securely attached to the building structure and can support the full weight of the fan. Ensure outlet box is clearly marked "Suitable for Fan Support." If not, it must be replaced with an approved outlet box. Failure to do so can result in serious injury.

CAUTION: Be sure outlet box is grounded properly and that a ground wire (**GREEN** or bare) is present.

Install mounting plate to outlet box using original screws, spring washers and flat washers provided with new or original outlet box.* Pull electrical wiring from outlet box through center hole in the mounting plate.

Locate screw on outer edge of mounting plate closest to the j-hook and remove that screw. Then, remove screw on outer edge of mounting plate directly opposite the screw that was just removed. Partially loosen the other 2 screws.

***Note:** It is very important that you use the proper hardware when installing the mounting plate as this will support the fan.



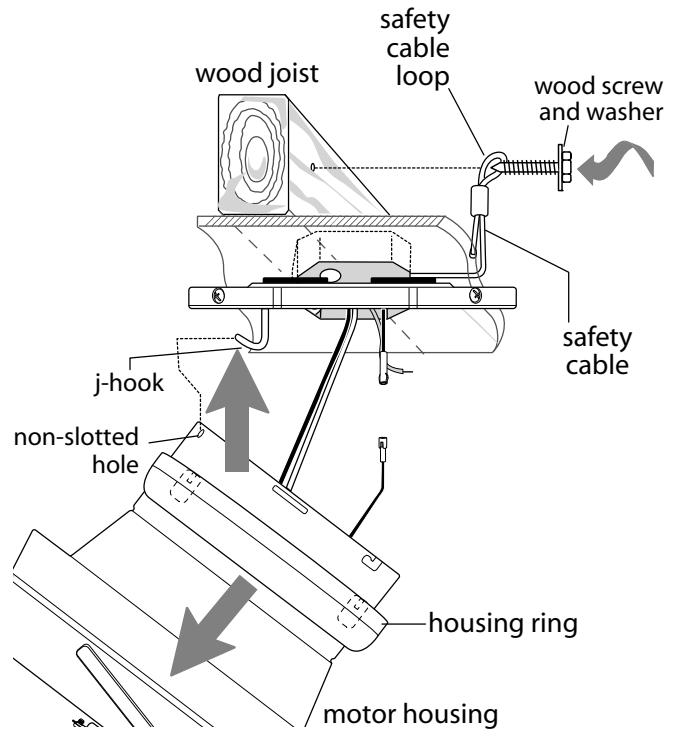
5. Preparation for Wiring.

With wider opening facing up, place housing ring over **top** of motor housing. Then, push housing ring down past top edge of motor housing.

Lift motor housing to mounting plate and then hang motor housing on j-hook on underside of mounting plate. (Use one of the *non-slotted* holes on the rim of the motor housing to do so.) This will allow motor housing to hang out of the way while wiring.

Tip: Seek the help of another person to hold the stepladder in place and to lift the fan up to you once you are set on the ladder.

Find a secure attachment point (wood ceiling joist highly recommended) and secure safety cable. It will be necessary to use a heavy duty wood screw, washer and lock washer (not supplied) with the safety cable loop. If necessary, adjust the loop at the end of the safety cable. The loop at the end of the safety cable should just fit over the threads on the wood screw. *Test safety cable by pulling on loose end with pliers. If the safety cable slips, the loop must be adjusted smaller.* Extra cable slack can be left in ceiling area.



6. Wiring.

WARNING: Turn off circuit breakers to current fixture from breaker panel and be sure switch is turned to the OFF position.

CAUTION: Be sure outlet box is grounded properly and that a ground wire (**GREEN** or Bare) is present.

Make sure all electrical connections comply with Local Codes or Ordinances and the National Electrical Code. If you are unfamiliar with electrical wiring or if the house/building wires are different colors than those referred to below, please use a qualified electrician.

Once fan has been temporarily hung on the mounting plate, electrical wiring can be made as follows:

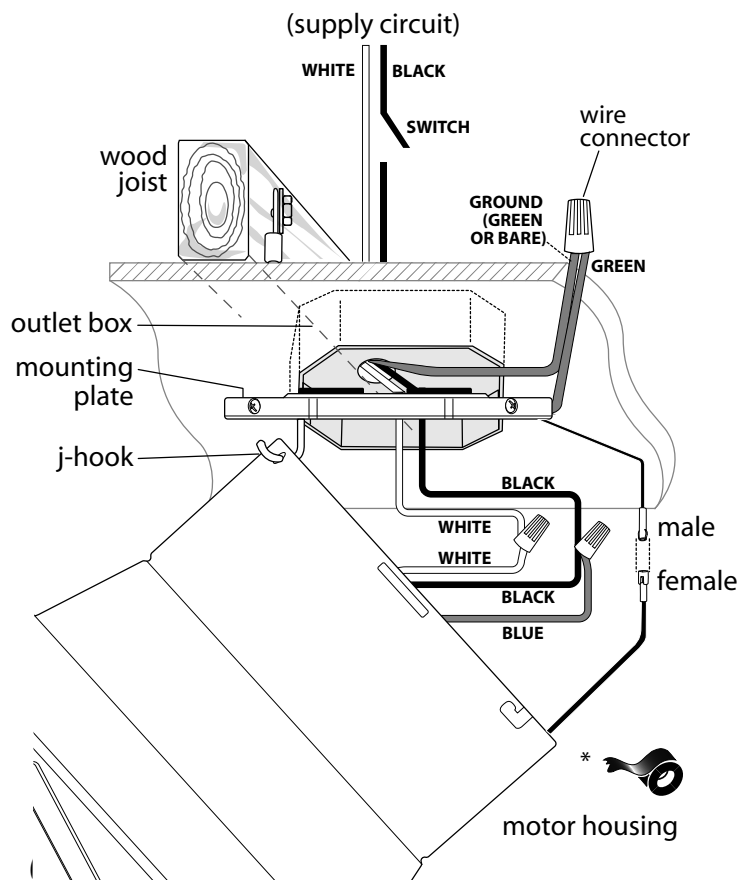
Connect **BLACK** wire from fan to **BLACK** wire from ceiling with wire connector provided.

Connect **WHITE** wire from fan to **WHITE** wire from ceiling with wire connector provided.

Connect **GROUND (GREEN)** wire from mounting plate to **BARE/GREEN** wire from ceiling with wire connector provided.

* Wrap each wire connector separately with electrical tape as an extra safety measure.

Connect male moxex plug from mounting plate to female moxex plug in top of motor housing. Be sure that moxex connections snap together completely.



6. Wiring. (cont.)

[PLEASE NOTE: Wall and/or handheld remote control must be used for fan to operate. *If you do not wish to use the wall control, please proceed to Section 7 to continue with fan installation.*]

To install wall control, remove existing wall switch. Wire one of the wall controls with wire connectors provided as shown in diagram at right.

*Wrap each wire connector separately with electrical tape as an extra safety measure. Gently push wires and taped wire connectors into outlet box.

Install one 12-volt battery (included) in wall control.

IMPORTANT: Wall control will not function unless battery is installed.

Since this fan comes with LED bulbs, the dimmer switch (labeled **DIM** and **ON**) has been pre-set to the "ON" position (**DIM**). If you do not wish to have dimming capability, please move the switch to the "OFF" position (**ON**).

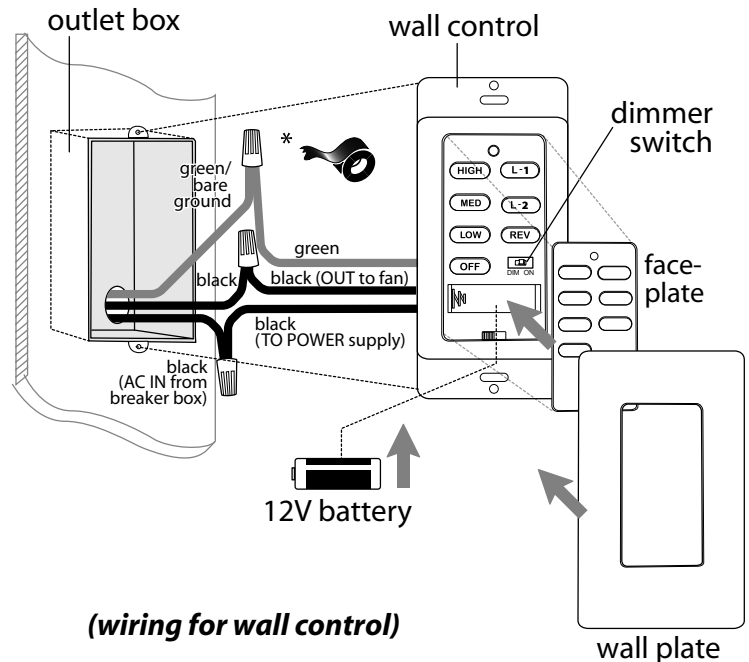
Select a faceplate (almond or white) and press firmly onto front of wall control. Attach wall control to outlet box and secure with screws from original wall switch. Attach wall plate (included) to wall control using 2 screws provided with the wall control.

Modifications not approved by the party responsible for compliance could void the user's authority to operate the equipment.

*NOTE: This equipment has been tested and found to comply with the limits for a Class B digital device, pursuant to Part 15 of the FCC Rules. These limits are designed to provide reasonable protection against harmful interference in a residential installation. This equipment generates, uses and can radiate radio frequency energy and, if not installed and used in accordance with the instructions, may cause harmful interference to radio communications. However, there is no guarantee that interference will not occur in a particular installation. If this equipment does cause harmful interference to radio or television reception, which can be determined by turning the equipment off and on, the user is encouraged to try to correct the interference by one or more of the following measures:

- * Reorient or relocate the receiving antenna.
- * Increase the separation between the equipment and receiver.
- * Connect the equipment into an outlet on a circuit different from that to which the receiver is connected.

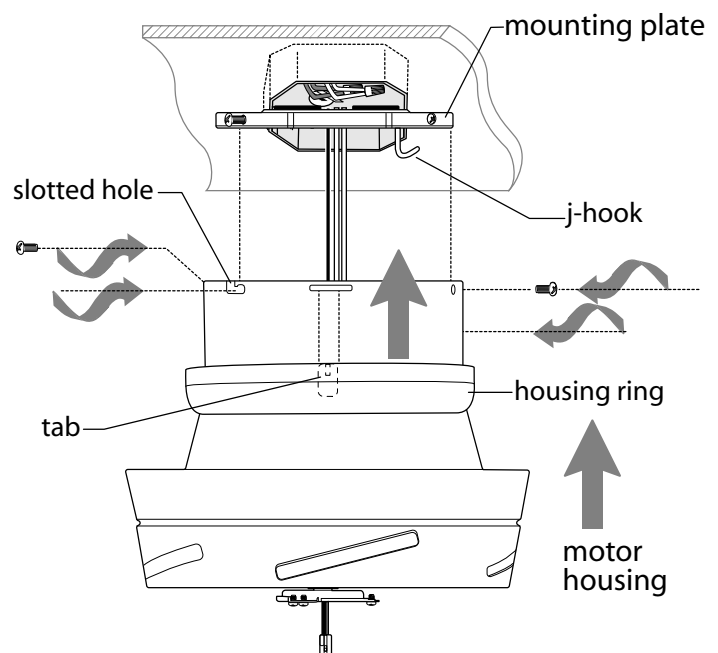
Consult the dealer or an experienced radio/TV technician for help.



7. Fan Assembly.

Remove motor housing from j-hook on mounting plate. Lift motor housing to mounting plate and carefully push wiring and wire connectors into outlet box. Align slotted holes on top rim of motor housing with loosened screws in mounting plate. Twist motor housing to lock. Re-insert the 2 screws that were previously removed (page 3, Section 4) and then tighten all 4 screws to secure motor housing.

Locate 4 tabs **inside** housing ring. Align tabs in housing ring with 4 screws at top of motor housing. The tabs must fit snugly **over** the screwheads to ensure a secure fit. **NOTE:** It is recommended to push one tab on at a time instead of doing all four at once.

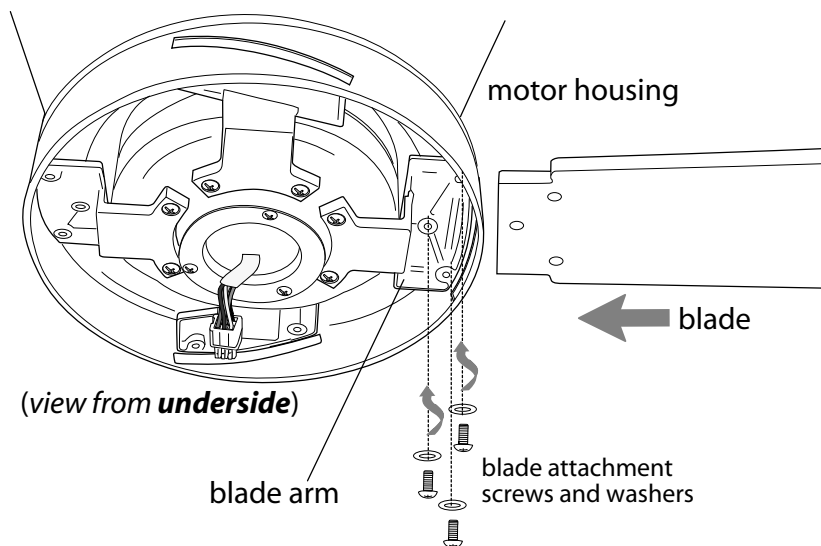


8. Blade Assembly.

Time Saver: Washers for blade attachment screws can be set on each screw prior to installing blades.

Locate 15 blade attachment screws and washers in hardware pack. Slide a blade through one of the narrow, rectangular openings on the motor housing, aligning holes in blade with holes in blade arm, which is pre-attached to the **underside** of the motor housing and located **inside** the motor housing--refer to drawing at right. Insert 3 blade attachment screws (along with washers) with fingers first and then tighten screws securely with a Phillips screwdriver. Repeat procedure for each remaining blade.

Note: Tighten blade attachment screws twice a year.



9. Light Kit Assembly (Optional).

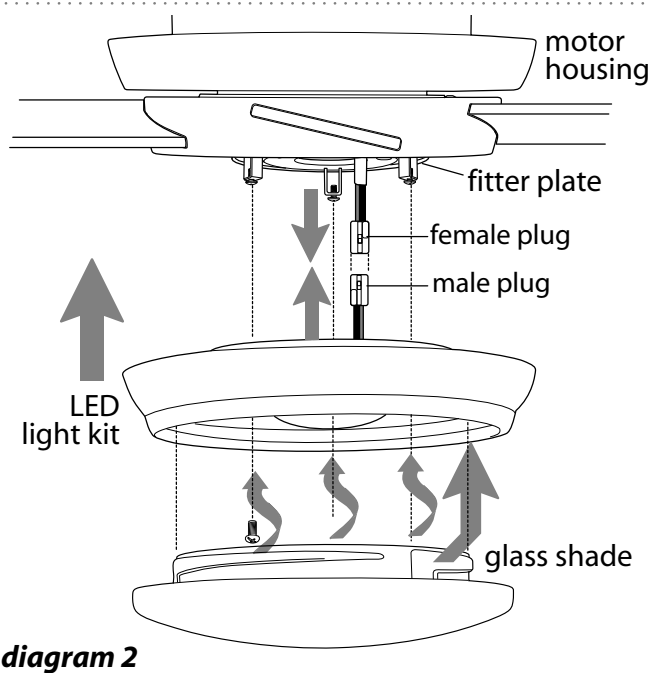
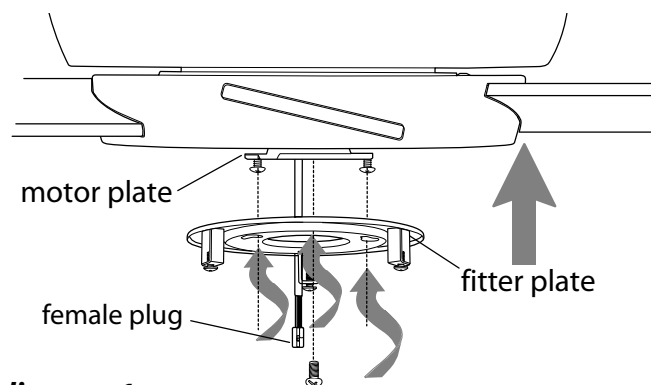
Remove 1 screw from motor plate (on underside of motor) and partially loosen the other 2 screws. Align slotted holes in fitter plate with loosened screws in motor plate, allowing female plug from motor housing to come through hole in middle of fitter plate. Twist fitter plate to lock. Re-insert screw that was just removed and tighten all 3 screws securely. [Refer to **diagram 1**.]

Remove 1 screw from post on underside of fitter plate and partially loosen the other 2 screws. Connect male plug from LED light kit to female plug from motor housing, matching up the colors on the male plug with the colors on the female plug for correct fit. Be sure that plugs connect securely. [Refer to **diagram 2**.]

Carefully arrange wiring in center of fitter plate.
WARNING: Do NOT allow wires to remain outside of posts as this could damage the wires.
WARNING: Make sure wires do not get pinched in between LED light kit and post(s) on fitter plate. This could cause damage to the wire(s).

Align slotted holes in LED light kit with loosened screws in fitter plate. Twist LED light kit to lock. Re-insert screw that was previously removed and tighten all 3 screws with a Phillips screwdriver. [Refer to **diagram 2**.]

Align grooves on glass shade with nodules on inside of LED light kit and push up gently on glass shade. Twist glass shade to the RIGHT (clockwise) until glass shade no longer turns. [Refer to **diagram 2**.]
NOTE: The use of rubber grip gloves are recommended should you need to remove the glass shade.



9. Light Kit Assembly (Optional). (cont.)

If you do NOT wish to use the light kit, locate slots on metal cover and align with nodules inside LED light kit. Push up on metal cover and turn to the RIGHT (clockwise) until it no longer turns. [Refer to **diagram 3**.]

WARNING: Do **NOT** connect the male and female plugs for the LED light kit if you do NOT wish to use the light kit.

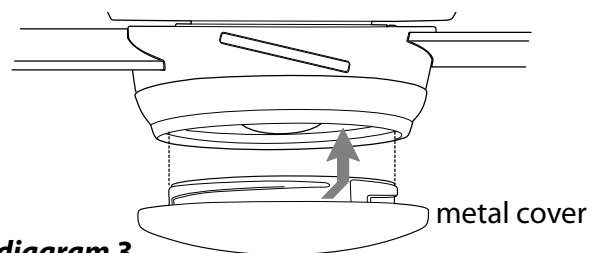


diagram 3

10. Assembly of Handheld Remote Control.

*IN ORDER TO USE THE HANDHELD REMOTE CONTROL, PLEASE CONTINUE WITH SECTION 10 for remote control assembly instructions. If you have already installed the wall control but do **not** wish to use the handheld remote control, please proceed to Section 11.*

Gently pull on remote control cover to separate top and bottom parts. [Refer to **diagram 1**.]

In order to use wall control as a handheld remote control, cut each wire on wall control (that was not previously used)--use wire cutters to cut off each wire as close to the wall control as possible. [Refer to **diagram 2**.]

Install one 12-volt battery (included) in wall control. [Refer to **diagram 2**.]

Since this fan comes with LED bulbs, the dimmer switch (labeled **DIM** and **ON**) has been pre-set to the "ON" position (**DIM**). If you do not wish to have dimming capability, please move the switch to the "OFF" position (**ON**). [Refer to **diagram 2**.]

Attach **black faceplate** to front of wall control; press down firmly. [Refer to **diagram 3**.]

Align holes in wall control with posts located on *inside* of TOP part of remote control cover and press together firmly. Place wall control into BOTTOM part of remote control cover, aligning posts in top of remote control cover with post holes in the bottom. [Refer to **diagram 3**.] (**NOTE:** Make sure to align narrower ends of remote control cover before closing.) Squeeze top and bottom of remote control cover together until you hear a click at each end, indicating that the remote control cover has closed completely.

IMPORTANT: Store the remote control away from excess heat or humidity. To prevent damage to remote control, remove the battery if remote control will not be used for long periods.

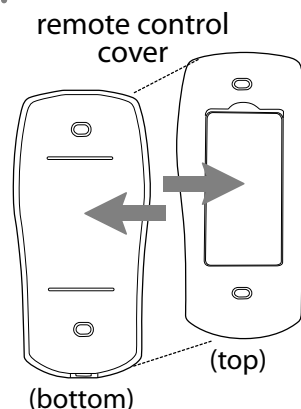


diagram 1

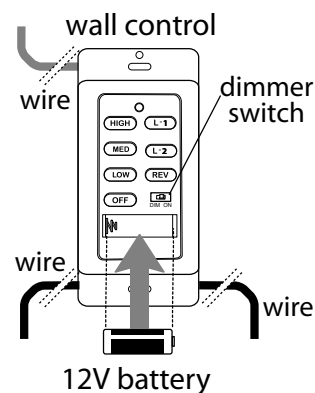


diagram 2

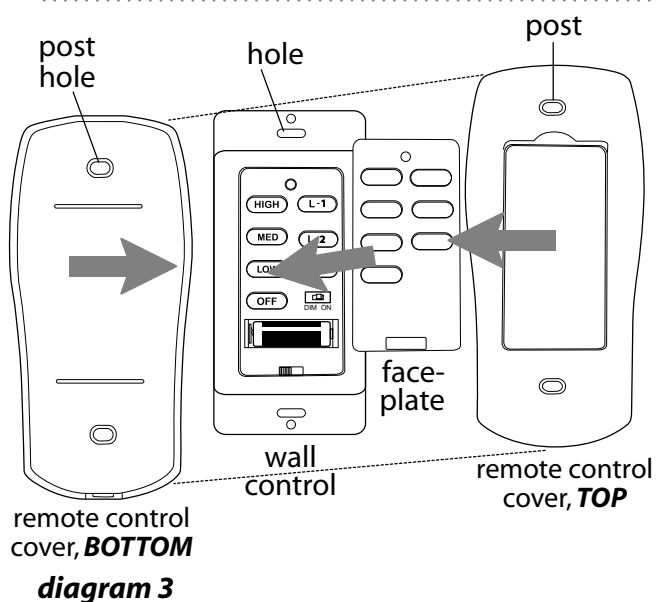


diagram 3

11. Automated Learning Process./Activating Code.

CAUTION: The wall and/or handheld remote control can be programmed to multiple receivers or fans. If this is not desired, turn wall switch off to any other programmable receiver or fan.

Restore electrical power and then, if using wall control, set slider switch on wall control to the ON position. Within 60 seconds of turning on the wall control, press and hold the fan **OFF** button on the wall control for 5 seconds (or until light blinks twice or fan blades begin to turn).

Turn power off again for at least 5 seconds and then turn power back on. Within 60 seconds of restoring the power, press and hold the **OFF** button on the front of the handheld remote control for 5 seconds (or until light blinks twice or fan blades begin to turn).

Test the light and fan functions to confirm the learning process is complete-- see Section 13 below.

12. Remote Control Operation.

ON/OFF slider switch - turns *wall control* ON or OFF
(switch not functional on handheld remote)

HIGH button - turns *fan* to HIGH speed

MED button - turns *fan* to MEDIUM speed

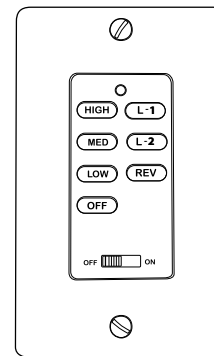
LOW button - turns *fan* to LOW speed

OFF button - turns *fan* OFF

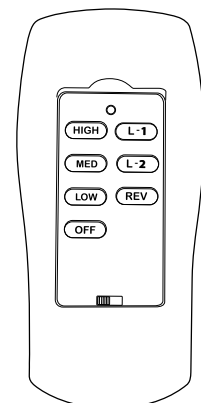
L1 button - (not applicable for this fan)

L2 button - turns *light kit* ON/OFF when pressed once;
dims *light kit* when pressed and held down

REV button - used to REVERSE blade direction
(fan must be set on **low** **before** reversing blade direction)



wall control



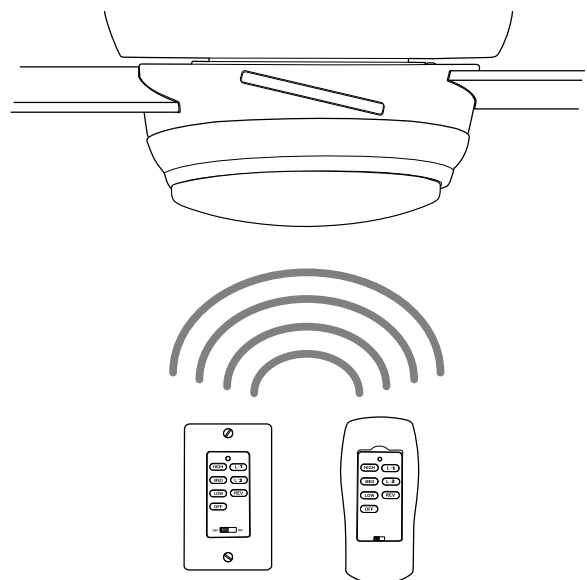
handheld remote control

13. Testing Your Fan.

It is recommended that you test fan before finalizing installation. Restore power from circuit box and light switch (if applicable). Test wall control (optional installation) by locating ON/OFF slider switch on wall control, then set to the ON position. Test the light ON/OFF and dimmer function with L2 button and then test fan speeds. Next, locate handheld remote control. Test the light ON/OFF function by pressing the L2 button; test the dimmer function by pressing the L2 button and holding it down for 1 second. Test fan speeds with the different fan speed buttons. If the wall and/or handheld remote control operates all of the functions of the fan and light, batteries have been installed correctly. If the wall and/or handheld remote control do (does) not operate all of the fan/light functions, refer to "Troubleshooting" section to solve any issues before contacting Customer Service.

Fan *must* be on **LOW** *before* setting the fan to reverse direction. Use "reverse" button to recirculate air depending on the season.

NOTE: If the wall control/handheld remote control interferes with other appliances, **turn off power** and go back to the instructions in Section 11 above.



Troubleshooting.

WARNING: Failure to disconnect power supply prior to troubleshooting any wiring issues may result in serious injury.

Problem: Fan fails to operate.

Solutions:

1. Check wall switch to fan/wall control.
2. Check to be sure wall control (optional use) is wired properly.
3. Check to be sure fan is wired properly.
4. Learning process between fan, handheld remote control and, if applicable, wall control may not have been successful and code was not activated. Turn off power and repeat instructions in Section 11 (page 8).
5. Check that red light on handheld remote control turns on when a button is pressed indicating that the battery is good.

Problem: Light kit not lighting.

Solutions:

1. Check wall switch to fan/wall control.
2. Check that wires in canopy are wired properly.
3. Verify that male and female plugs in LED light kit are connected properly.
4. Learning process between fan, handheld remote control and, if applicable, wall control may not have been successful and code was not activated. Turn off power and repeat instructions in Section 11 (page 8).

Problem: Fan operates but light fails.

Solutions:

1. Check that wires in canopy are wired properly.
2. Verify that male and female plugs in LED light kit are connected properly.

Problem: Fan and light fail to operate with wall control (optional) and/or handheld remote control.

Solutions:

1. Check battery power in handheld remote control.
2. Learning process between fan, handheld remote control and, if applicable, wall control may not have been successful and code was not activated. Turn off power and repeat instructions in Section 11 (page 8).
3. If using optional wall control, check that battery in wall control is still good.

Problem: Fan wobbles.

Solutions:

1. Use the balancing kit in one of the hardware packs. *If no blade balancing kit is provided, please call Customer Support, 1-800-486-4892, to request one.*
2. Carefully lower motor housing and verify that mounting plate is secure.
3. Check to be sure motor housing is turned completely and that mounting plate screws are secure.

Warranty.

CRAFTMADE/ELLINGTON LIFETIME WARRANTY:

CRAFTMADE/ELLINGTON warrants this fan to the original household purchaser for indoor use under the following provisions:

1-YEAR WARRANTY: CRAFTMADE/ELLINGTON will replace or repair any fan which has faulty performance due to a defect in material or workmanship. Contact Craftmade/Ellington Customer Service at **1-800-486-4892** to arrange for return of fan. Return fan, shipping prepaid, to Craftmade/Ellington. We will repair or ship you a replacement fan, and we will pay the return shipping cost.

5-YEAR WARRANTY: CRAFTMADE/ELLINGTON will repair or replace at no charge to the original purchaser any fan motor that fails to operate satisfactorily when failure results from normal use.

RETURN FAN MOTOR ONLY, shipping prepaid, to Craftmade/Ellington. We will repair or ship purchaser a replacement motor and Craftmade/Ellington will pay the return shipping cost.

6-YEAR to LIFETIME LIMITED WARRANTY:

CRAFTMADE/ELLINGTON will repair the fan, at no charge for labor only to the original purchaser, if the fan motor fails to operate satisfactorily when failure results from normal use. Parts used in the repair will be billed to the purchaser at prevailing prices at time of repair.

The purchaser shall be responsible for all costs incurred in the removal, reinstallation and shipping of the product for repairs.

This warranty does not apply when damage from mechanical, physical, electrical or water abuse results in causing the malfunction. Deterioration of finishes or other parts due to time or exposure to salt air is specifically exempted under this warranty.

Neither Craftmade/Ellington nor the manufacturer will assume any liability resulting from improper installation or use of this product. In no case shall the company be liable for any consequential damages for breach of this, or any other warranty expressed or implied whatsoever. This limitation as to consequential damages shall not apply in states where prohibited.

Parts Replacement.

For parts and information, please refer to "Parts Inventory" on page 2.

Craftmade/Ellington Customer Support:

1-800-486-4892

www.craftmadebrands.com

Craftmade

CEILING FANS

Est. 1985

Craftmade

CEILING FANS

Est. 1985

LEER ESTAS INSTRUCCIONES Y
GUARDARLAS PARA UTILIZACION FUTURA



Tempo Hugger 44in.

Guía de instalación

Para modelos:

TMPH44BNK5

TMPH44CH5

TMPH44OB5

TMPH44W5

Índice de materias:

Sugerencias de seguridad. Pág. 1

Desempaquetado del ventilador. Pág. 2

Inventario de piezas. Pág. 2

Preparación para la instalación. Pág. 3

Instalación de la placa de montaje. Pág. 3

Preparación para la instalación eléctrica. Pág. 4

Instalación eléctrica. Págs. 4 - 5

Instalación del ventilador. Pág. 5

Colocación de las aspas. Pág. 6

Instalación del juego de luz (opcional).

Págs. 6 - 7

Ensamblaje del control remoto de mano. Pág. 7

Proceso de aprendizaje automático./

El activar el código. Pág. 8

Funcionamiento del control remoto. Pág. 8

Verificación del funcionamiento del

ventilador. Pág. 8

Localización de fallas. Pág. 9

Garantía. Pág. 9

Piezas de repuesto. Pág. 9



LISTED

E192641

peso neto del ventilador: 8,43 kg (18,54 lb)

IMPRESO EN CHINA

SUGERENCIAS DE SEGURIDAD.

ADVERTENCIA: Para evitar la posibilidad de una descarga eléctrica, desconectar la corriente en la caja de fusibles principal o el interruptor protector antes de iniciar la instalación del ventilador o antes de repararlo o instalar accesorios.

1. **LEER TODAS LAS INSTRUCCIONES E INFORMACION DE SEGURIDAD CUIDADOSAMENTE ANTES DE INSTALAR SU VENTILADOR Y GUARDAR ESTAS INSTRUCCIONES.**

PRECAUCION: Para reducir el riesgo de daño corporal, es posible que sea necesario usar guantes al manejar las piezas del ventilador que tengan bordes afilados.

2. Asegurarse de que todas las conexiones eléctricas cumplan con los Códigos o las Ordenanzas Locales, el Código Nacional Eléctrico y ANSI/NFPA 70-1999. Si usted no está familiarizado con el alambrado eléctrico o los cables de la casa/el edificio son de colores diferentes a los cuales se refieren en las instrucciones, favor de buscar un electricista calificado.
3. Asegurarse de que haya localizado una ubicación para su ventilador que permite el espacio necesario para la rotación de las aspas, y por lo menos 2,13 metros (7 pies) de espacio libre entre el piso y las puntas de las aspas. Debe instalar el ventilador para que las puntas de las aspas queden a una distancia de por lo menos 76 centímetros (30 pulgadas) de las paredes y otras estructuras verticales.
4. La caja de salida eléctrica debe estar bien sujeta a la viga de soporte del techo y deben ser capaces de sostener por lo menos 16 kilogramos (35 libras). La caja debe tener apoyo directo de la estructura del edificio. Sólo usar cajas de salida registradas con CUL (Canadá) o UL (EEUU) que indican que "sirven para ventilador" ("FOR FAN SUPPORT" en inglés).

ADVERTENCIA: Para reducir el riesgo de incendio, descarga eléctrica o daño corporal, instalar en la caja de salida marcada "Aceptable para sostener ventilador de 15,9 kg (35 lb) o menos" ["Acceptable for Fan Support of 15.9 kg (35 lb.) or less"] y utilizar los tornillos proporcionados con la caja de salida. La mayoría de las cajas de salida que normalmente se usan para sostener los aparatos de alumbrado no siempre son apropiadas para sostener ventiladores y es posible que las tenga que reemplazar. En caso de duda, consultar con un electricista calificado.

ADVERTENCIA: Para reducir el riesgo de incendio, descarga eléctrica o daño corporal, los conectores para cable provistos con este ventilador son diseñados para aceptar sólo un cable de calibre 12 de la casa y dos cables principales del ventilador. Si el calibre del cable de la casa es superior al 12 o hay más de un cable de la casa para conectar a los cables principales del ventilador al cual corresponda cada uno, consultar con un electricista para informarse sobre el tamaño correcto de conectores para cable que se debe usar.

5. Los diagramas eléctricos son únicamente para referencia. Los juegos de luz que no se incluyen con el ventilador deben tener el símbolo CUL (Canadá) o UL (EEUU) y también deben indicar que sirven para uso con este ventilador. Los interruptores deben ser interruptores de uso general CUL (Canadá) o UL (EEUU). Referirse a las instrucciones incluidas con el juego de luz y los interruptores para ensamblarlos correctamente.
6. Después de haber terminado la instalación, asegurarse de que todas las conexiones estén totalmente seguras.
7. Después de haber terminado todas las conexiones eléctricas, los conductores empalmados deben ser volteados para arriba y colocados cuidadosamente dentro de la caja de salida. Los alambres se deben de separar con el conductor a tierra a un lado y el conductor a tierra del equipo al lado opuesto.

ADVERTENCIA: Para reducir el riesgo de incendio o un choque eléctrico, no usar el ventilador con ningún control de velocidad de estado sólido ni controlar la velocidad del ventilador con un interruptor con reductor de luz de gama completa. [El usar un interruptor con reductor de luz de gama completa para controlar la velocidad del ventilador causará un zumbido recio del ventilador.] (**Nota:** Este ventilador *sí* sirve para usar con control remoto.)

8. No utilizar el interruptor de reversa hasta que el ventilador se haya parado completamente. [**Nota:** Si se usa un control remoto con capacidad de reversa, cambiar la dirección de las aspas sólo cuando el ventilador esté en velocidad BAJA.]
9. No insertar ningún objeto entre las aspas mientras estén rotando.

ADVERTENCIA: Para reducir el riesgo de daño corporal, no doblar los brazos de las aspas durante el ensamblaje ni durante la instalación. No insertar objetos entre las aspas mientras estén rotando.

ADVERTENCIA: Para reducir el riesgo de daño corporal o algún daño al ventilador, tener cuidado al estar trabajando alrededor del ventilador o limpiándolo.

10. No utilizar agua ni detergentes para limpiar el ventilador ni las aspas. Usar un trapo seco o ligeramente húmedo para su limpieza general.

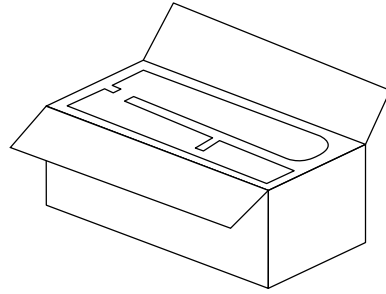
ADVERTENCIA: Para reducir el riesgo de daño corporal, usar **sólo** las piezas provistas con este ventilador. **Al usar piezas DISTINTAS a las provistas con este ventilador se invalidará la garantía.**

NOTA: No se debe concluir que las precauciones de seguridad importantes e instrucciones en este manual van a abarcar todas las condiciones y situaciones posibles que puedan ocurrir. Se debe entender que el sentido común y la precaución son factores necesarios en la instalación y la operación de este ventilador.

1. Desempaquetado del ventilador.

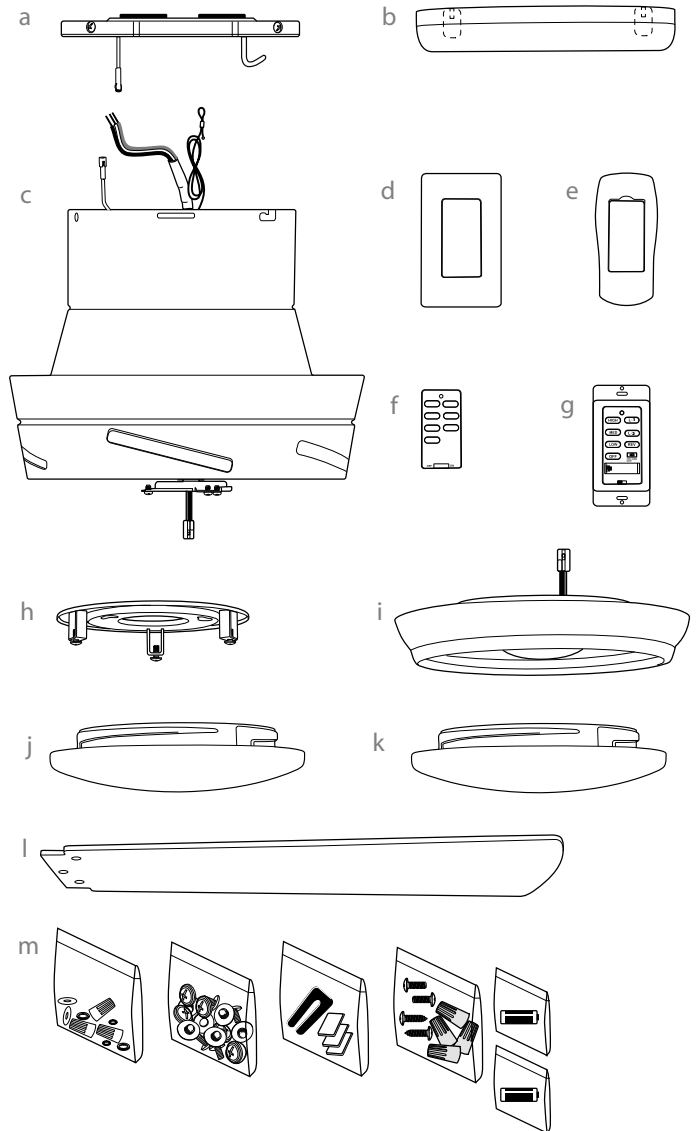
Abrir el empaque cuidadosamente. Sacar los artículos del embalaje. Sacar el motor y ponerlo en una alfombra o en el embalaje para evitar rayar el acabado. Guardar la caja de cartón o el empaquetamiento original en caso de que tenga que mandar el ventilador para alguna reparación.

Comprobar las piezas del ventilador con el inventario de piezas y verificar que se incluyeron todas.



2. Inventario de piezas.

- a.** placa de montaje. 1 unidad
- b.** aro del bastidor. 1 unidad
- c.** bastidor del motor. 1 unidad
- d.** tapa de tomacorriente. 1 unidad
- e.** cubierta del control remoto. 1 unidad
- f.** tapa. 3 unidades
- g.** control de pared. 2 unidades
- h.** placa de conexión. 1 unidad
- i.** juego de luz LED. 1 unidad
- j.** pantalla de vidrio. 1 unidad
- k.** cubierta de metal. 1 unidad
- l.** aspa. 5 unidades
- m.** paquetes de artículos de ferretería

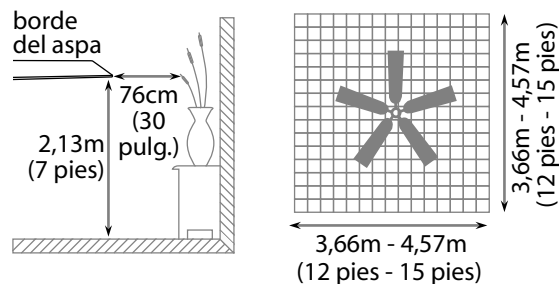


⚠ RECORDATORIO IMPORTANTE:
Se tienen que utilizar las piezas provistas con este ventilador para una instalación adecuada y su seguridad. **⚠**

3. Preparación para la instalación.

Para prevenir daño corporal y otros daños, estar seguro de que el lugar en donde va a colgar el ventilador le permite un espacio libre de 2,13m (7 pies) entre las puntas de las aspas y el piso y 76cm (30 pulg.) entre las aspas y cualquier pared u otra obstrucción.

Este ventilador es adecuado para habitaciones hasta 20,9 metros cuadrados (225 pies cuadrados).

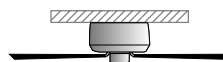


Este ventilador se puede colgar *solamente al ras con el techo* en un techo regular (sin inclinación). **No** se puede hacer **instalación con tubo** con este ventilador.

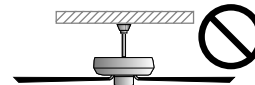
Se necesitan las herramientas siguientes para la instalación:


Destornillador de estrella Phillips, destornillador de paleta (plano), alicates ajustables o llave de tuercas, escalera de tijera, cortaalambres y cinta aisladora.

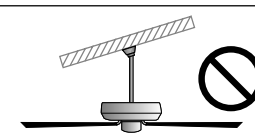
instalación al ras con el techo



instalación con tubo



 NO se permite instalar en techo angulado ni abovedado.



4. Instalación de la placa de montaje.

Apagar los cortacircuitos en el panel de electricidad que suplen corriente a la caja de salida y asegurarse de que el interruptor de luz esté APAGADO.

ADVERTENCIA: El no desconectar el suministro de fuerza antes de la instalación puede tener por resultado lesiones graves.

Quitar el aparato existente.

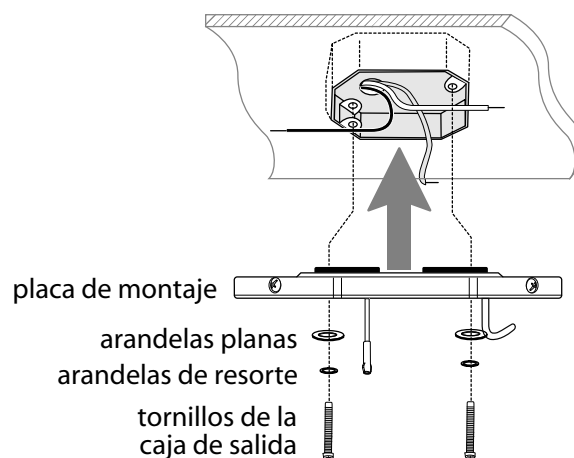
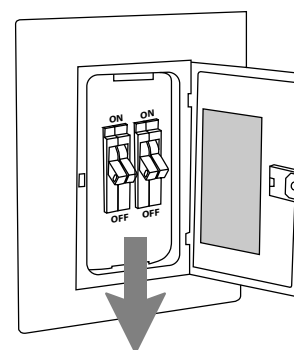
ADVERTENCIA: Si utiliza una caja de salida existente, asegurarse de que la caja de salida esté firmemente conectada a la estructura del edificio y que sea capaz de sostener el peso total del ventilador. Asegurarse de que la caja de salida indique claramente que "Sirve para ventilador" (FOR FAN SUPPORT); si no, se debe reemplazar con una caja de salida aprobada. El no hacer el cambio si es necesario puede resultar en lesiones graves.

PRECAUCION: Asegurarse de que la caja de salida esté conectada a tierra correctamente y que haya un conductor a tierra (**VERDE** o pelado).

Instalar la placa de montaje utilizando los tornillos originales, las arandelas de resorte y las arandelas planas de su nueva o existente caja de salida.* Pasar el alambreado eléctrico (los cables) de la caja de salida por el agujero de en medio de la placa de montaje.

Localizar el tornillo en el borde exterior de la placa de montaje que se encuentra más cerca del gancho en forma de "j" y quitar dicho tornillo. Luego, quitar el tornillo en el borde exterior de la placa de montaje que está directamente enfrente del tornillo que apenas se quitó. Aflojar parcialmente los otros 2 tornillos.

***Nota:** Es muy importante usar los artículos de ferretería correctos al instalar la placa de montaje puesto que sirve para sostener el ventilador.



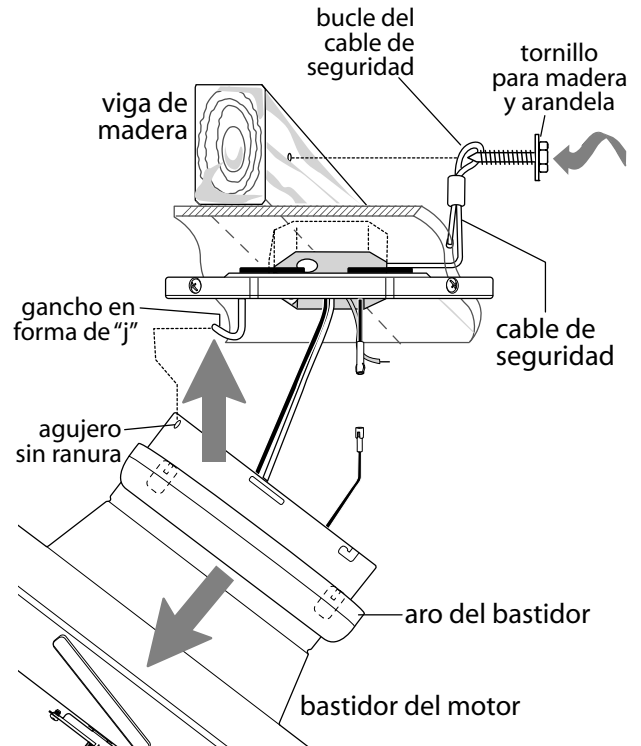
5. Preparación para la instalación eléctrica.

Poner el aro del bastidor en la **parte superior** del bastidor del motor, colocándolo para que la abertura más ancha esté orientada hacia arriba. Luego, pasar el aro del bastidor por debajo del borde del bastidor del motor.

Subir el bastidor del motor a la placa de montaje y después colocar el bastidor del motor en el gancho en forma de "j" que se encuentra en el lado inferior de la placa de montaje. (Usar uno de los *agujeros que no tenga ranura* en el borde del bastidor del motor para hacerlo.) Esto permitirá que el bastidor del motor permanezca a un lado mientras hace la instalación eléctrica.

Sugerencia: Solicitar ayuda de otra persona para mantener sujeta la escalera y para que le suba el ventilador cuando usted ya esté preparado en la escalera para colgarlo.

Encontrar un punto de acoplamiento seguro (se recomienda la viga de madera en el techo) y asegurar el cable de seguridad. Utilizar tornillo para madera para trabajos pesados, arandela y arandela de seguridad (no provistos) en el bucle del cable de seguridad. Si es necesario, ajustar el bucle en el extremo del cable de seguridad. El bucle en el extremo del cable de seguridad debe ser de tal tamaño que pase justo sobre la punta de la parte roscada del tornillo para madera. *Poner el cable a prueba jalando con alicate la parte suelta en la punta del cable. Si el cable se desliza o se reduce el bucle del cable por donde pasa el tornillo, hay que ajustar el bucle de nuevo.* Se puede poner el cable en exceso en el área del techo.



6. Instalación eléctrica.

ADVERTENCIA: Apagar los cortacircuitos en el panel de electricidad que suplen corriente a la caja de salida y asegurarse de que el interruptor de luz esté APAGADO.

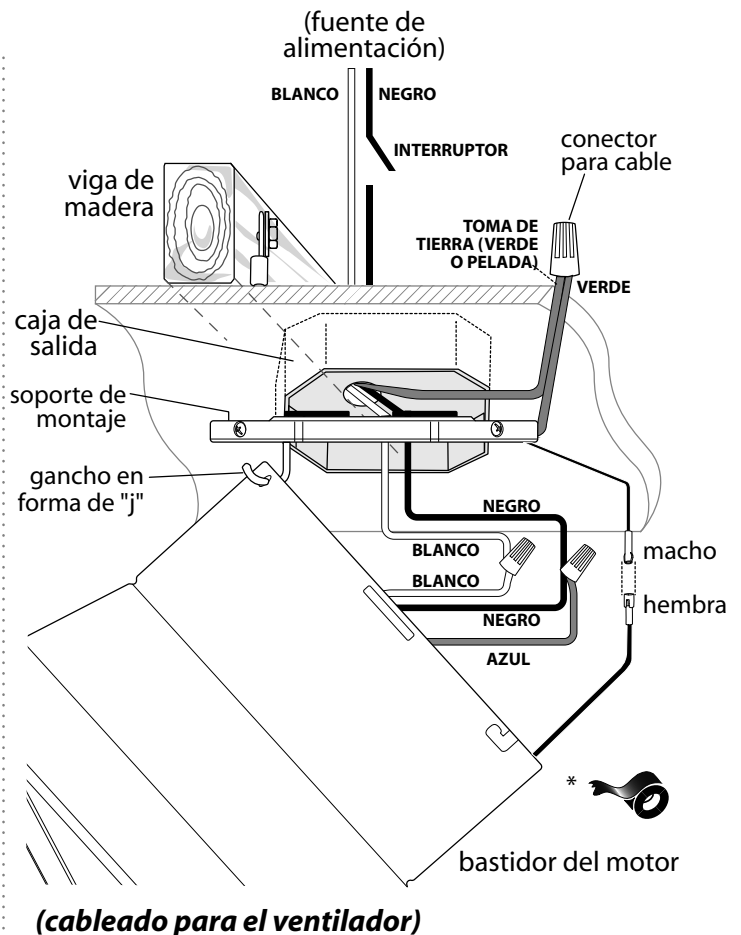
PRECAUCIÓN: Asegurarse de que la caja de salida esté conectada a tierra como es debido y que exista un conductor a tierra (**VERDE** o pelado).

Asegurarse de que toda conexión eléctrica cumpla con los Códigos o las Ordenanzas Locales y el Código Nacional Eléctrico. Si usted no está familiarizado con la instalación eléctrica o los cables de la casa/el edificio son de colores diferentes a los cuales se refieren a continuación, favor de buscar un electricista calificado.

Una vez que se haya colgado el ventilador temporalmente en la placa de montaje, se puede hacer la instalación eléctrica como sigue:
Conectar el cable **NEGRO** del ventilador al cable **NEGRO** del techo con un conector para cable provisto. Conectar el cable **BLANCO** del ventilador al cable **BLANCO** del techo con un conector para cable provisto. Conectar el conductor a **TIERRA (VERDES)** de la placa de montaje al cable **PELADO/VERDE** del techo con un conector para cable provisto.

* Como una medida de seguridad adicional, envolver cada conector para cable por separado con cinta aisladora.

Conectar el enchufe tipo "molex" macho de la placa de montaje al enchufe tipo "molex" hembra en la parte superior del bastidor del motor. Asegurarse de que las conexiones tipo "molex" se cierren bien con un clic.



(cableado para el ventilador)

6. Instalación eléctrica. (cont.)

[**FAVOR DE DARSE CUENTA:** Hay que utilizar el control de pared y/o el control remoto de mano para que funcione el ventilador. *Si **no** desea utilizar el control de pared, favor de pasar a la sección 7 para seguir con la instalación del ventilador.*]

Para instalar el control de pared, quitar el interruptor de pared existente. Alambrear uno de los controles de pared con los conectores para cable provistos *así como se muestra en el diagrama al lado.*

*Como una medida de seguridad adicional, envolver cada conector para cable con cinta aisladora. Delicadamente meter los cables y los conectores para cable que tienen cinta dentro de la caja de salida.

Instalar 1 batería de 12 voltios (incluida) en el control de pared.

IMPORTANTE: El control de pared no funcionará sin que se instale la batería.

Ya que este ventilador viene con bombillas LED, el interruptor del reductor de luz (etiquetado **DIM** y **ON**) está programado de antemano en posición de "ENCENDIDO" (**DIM**). Si no desea tener la capacidad de bajar la luz, favor de mover el interruptor a la posición de "APAGADO" (**ON**).

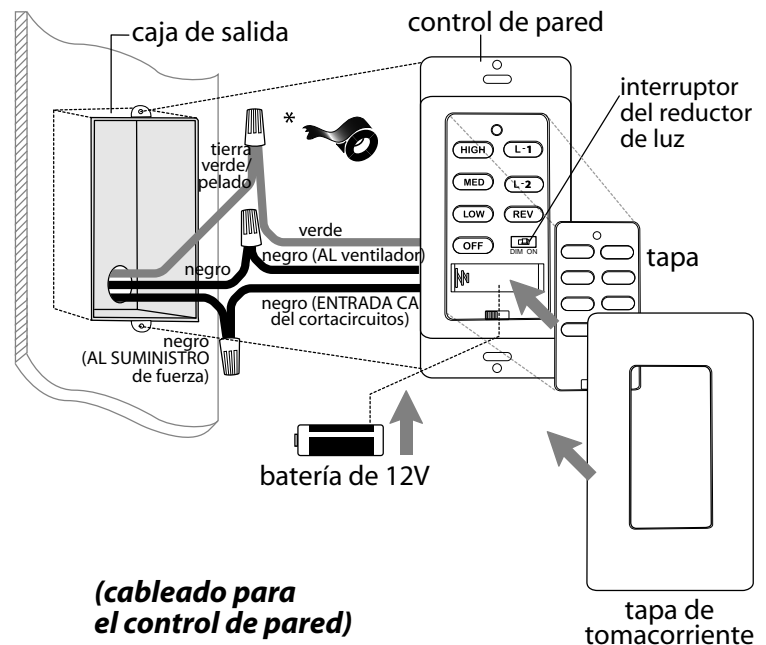
Escoger una tapa (color almendra o blanca) y apretarla fijamente en la parte delantera del control de pared. Sujetar el control de pared a la caja de salida y asegurarlo con los tornillos del interruptor de pared original. Sujetar la tapa de tomacorriente (incluida) al control de pared usando los 2 tornillos provistos con el control de pared.

Las modificaciones no aprobadas por la parte responsable de la conformidad podrían invalidar la autorización del usuario para manejar el equipo.

*NOTA: Se han hecho pruebas en este equipo y se ha comprobado que cumple con los límites para un aparato digital de clase B, de acuerdo con la Parte 15 de las Reglas de la FCC. Se concibieron estos límites para proveer protección razonable contra la interferencia adversa en una instalación residencial. Este equipo produce, usa y puede radiar energía de radiofrecuencia y, si no se instala y no se usa según las instrucciones, puede causar interferencia adversa en la radiocomunicación. Sin embargo, no hay ninguna garantía de que no habrá interferencia en una instalación en particular. Si este equipo sí causa interferencia adversa en la recepción de radio o televisión, que se puede determinar apagando y prendiendo el equipo, se le urge al usuario a intentar rectificar la interferencia tomando una o más de las medidas que siguen:

- * Orientar la antena de nuevo o localizarla en otro sitio.
- * Aumentar la separación entre el equipo y el receptor.
- * Conectar el equipo a un tomacorriente en un circuito distinto al cual está conectado el receptor.

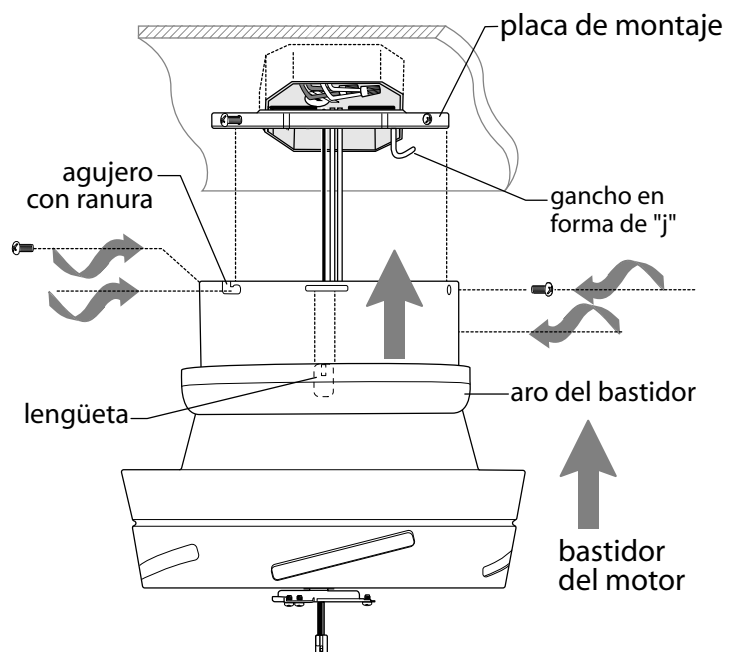
Solicitar ayuda del distribuidor o un técnico de radio/televisión.



7. Colocación del bastidor del motor.

Quitar la unidad del motor del gancho en forma de "j" en la placa de montaje. Subir el bastidor del motor a la placa de montaje y con cuidado meter el cableado y los conectores para cable dentro de la caja de salida. Alinear los agujeros con ranura en el borde superior del bastidor del motor con los tornillos aflojados en el soporte de montaje. Girar el bastidor del motor para cerrarlo. Volver a introducir los 2 tornillos que se quitaron anteriormente (página 3, sección 4) y luego apretar los 4 tornillos para asegurar el bastidor del motor.

Localizar las 4 lengüetas **dentro** del aro del bastidor. Alinear las lengüetas en el aro del bastidor con los 4 tornillos en la parte superior del bastidor del motor. Las lengüetas deben quedar fijamente por **encima** de las cabezas de los tornillos para que se encaje bien. **NOTA:** Se recomienda colocar cada lengüeta, una por una, en vez de acomodar las cuatro a la vez.

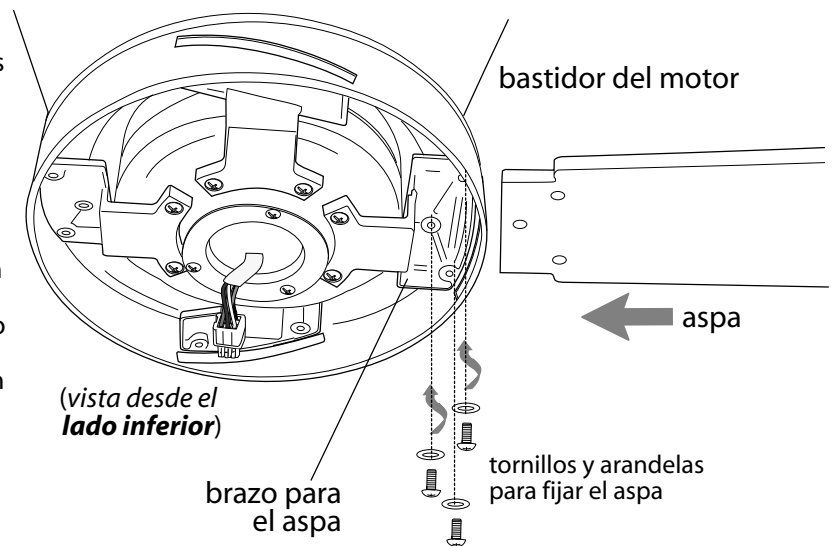


8. Colocación de las aspas.

Para ahorrar tiempo: Se pueden poner las arandelas en los tornillos que son para las aspas antes de colocar las aspas.

Localizar los 15 tornillos para fijar las aspas y las arandelas en uno de los paquetes de artículos de ferretería. Deslizar un aspa por una de las aberturas estrechas y rectangulares en el bastidor del motor, alineando los agujeros en el aspa con los agujeros en el brazo para el aspa, el cual está fijado de antemano en el lado **inferior** del bastidor del motor y localizado **dentro** del bastidor del motor—referirse al dibujo al lado. Introducir 3 tornillos para fijar el aspa (junto con las arandelas) con los dedos primero y luego apretarlos bien con un destornillador de estrella Phillips. Repetir el procedimiento con las demás aspas.

Nota: Apretar los tornillos para fijar las aspas dos veces al año.



9. Instalación del juego de luz (opcional).

Quitar 1 tornillo de la placa del motor (en el lado inferior del motor) y aflojar los otros 2 tornillos. Alinear los agujeros con ranura en la placa de conexión con los tornillos aflojados en la placa del motor, dejando que el enchufe hembra del bastidor del motor pase por el agujero de en medio de la placa de conexión. Girar la placa de conexión para cerrarla. Volver a introducir el tornillo que apenas se quitó y apretar bien los 3 tornillos. [Referirse al **diagrama 1.**]

Quitar 1 tornillo del poste que se encuentra en la parte inferior de la placa de conexión y parcialmente aflojar los otros 2 tornillos. Conectar el enchufe macho del juego de luz LED al enchufe hembra del bastidor del motor, haciendo combinar los colores del enchufe macho con los del enchufe hembra para un ajuste correcto. Asegurarse de que se conecten bien los enchufes. [Referirse al **diagrama 2.**]

Con cuidado arreglar los cables en el centro de la placa de conexión.

ADVERTENCIA: NO permitir que los cables se queden fuera de los postes puesto que podrían dañarse los cables.

ADVERTENCIA: Asegurarse que los cables eléctricos no queden apretados entre el juego de luz LED y el (los) poste(s) en la placa de conexión. Es posible que se dañara(n) el (los) cable(s).

Alinear los agujeros con ranura en el juego de luz LED con los tornillos aflojados en la placa de conexión. Girar el juego de luz LED para cerrarlo. Volver a introducir el tornillo que se quitó anteriormente y apretar bien los 3 tornillos con un destornillador de estrella Phillips. [Referirse al **diagrama 2.**]

Alinear las ranuras en la pantalla de vidrio con los nódulos dentro del juego de luz LED y empujar la pantalla de vidrio delicadamente hacia arriba. Girar la pantalla de vidrio hacia la DERECHA (en sentido de las agujas del reloj) hasta que se quede encajada. [Referirse al **diagrama 2.**]

NOTE: Se le recomienda usar guantes de hule (o que tengan hule en los dedos de los guantes) si tiene por qué quitar la pantalla de vidrio.

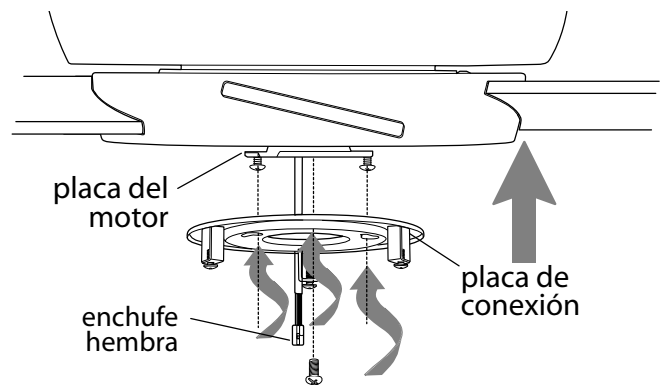


diagrama 1

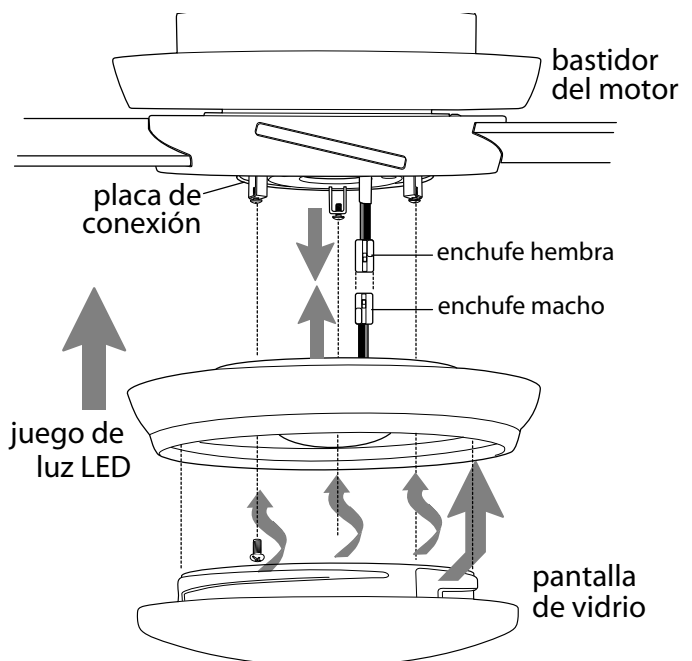


diagrama 2

9. Instalación del juego de luz (opcional). (cont.)

Si **NO** desea utilizar el juego de luz, localizar las ranuras en la cubierta de metal y alinearlas con los nódulos dentro del juego de luz LED. Empujar la cubierta de metal hacia arriba y girar la cubierta de metal hacia la DERECHA (en sentido de las agujas del reloj) hasta que se quede encajada.

[Referirse al **diagrama 3**.]

ADVERTENCIA: NO conectar los enchufes macho y hembra del juego de luz LED si NO desea utilizar el juego de luz.

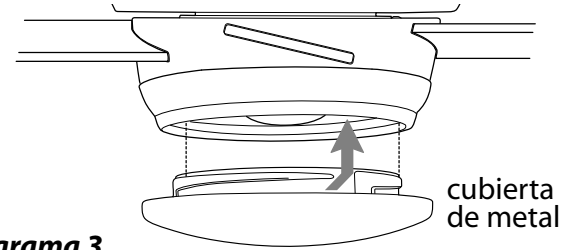


diagrama 3

10. Ensamblaje del control remoto de mano.

PARA PODER UTILIZAR EL CONTROL REMOTO DE MANO, FAVOR DE SEGUIR CON LA SECCION 10 para armar el control remoto. Si ya se instaló el control de pared pero **no** desea utilizar el control remoto de mano, favor de pasar a la sección 11.

Con cuidado separar la cubierta del control remoto, despegando la parte superior de la inferior. [Referirse al **diagrama 1**.]

Para utilizar el control de pared como control remoto de mano, cortar cada cable en el control de pared (que no se usó anteriormente)--usar cortaalambres para cortar cada cable para que se quede tan corto como sea posible. [Referirse al **diagrama 2**.]

Instalar 1 batería de 12 voltios (incluida) en el control de pared. [Referirse al **diagrama 2**.]

Ya que este ventilador viene con bombillas LED, el interruptor del reductor de luz (etiquetado **DIM** y **ON**) está programado de antemano en posición de "ENCENDIDO" (**DIM**). Si no desea tener la capacidad de bajar la luz, favor de mover el interruptor a la posición de "APAGADO" (**ON**).

Fijar la **tapa negra** a la parte delantera del control de pared; apretar la tapa fijamente. [Referirse al **diagrama 3**.]

Alinear los agujeros en el control de pared con los postes que se encuentran *adentro de* la parte SUPERIOR de la cubierta del control remoto y apretar fijamente. Colocar el control de pared dentro de la parte INFERIOR de la cubierta del control remoto, alineando los postes en la parte superior de la cubierta del control remoto con los agujeros para los postes en la parte inferior. [Referirse al **diagrama 3**.] (**NOTA:** Asegurarse de alinear los extremos más angostos de la cubierta del control remoto antes de cerrarla.) Apretar la parte superior e inferior de la cubierta del control remoto hasta que se oiga un "clic" en cada extremo, lo cual indicará que se haya cerrado completamente la cubierta del control remoto.

IMPORTANTE: Guardar el control remoto lejos del calor excesivo o la humedad. Para prevenir daño al control remoto, sacar la batería si no se va a utilizar el control remoto por un tiempo extendido.

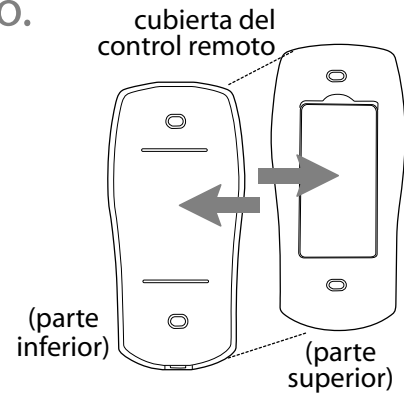


diagrama 1

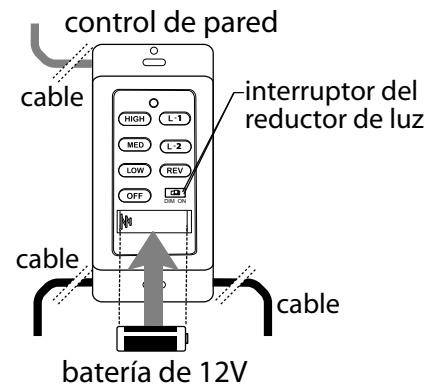


diagrama 2

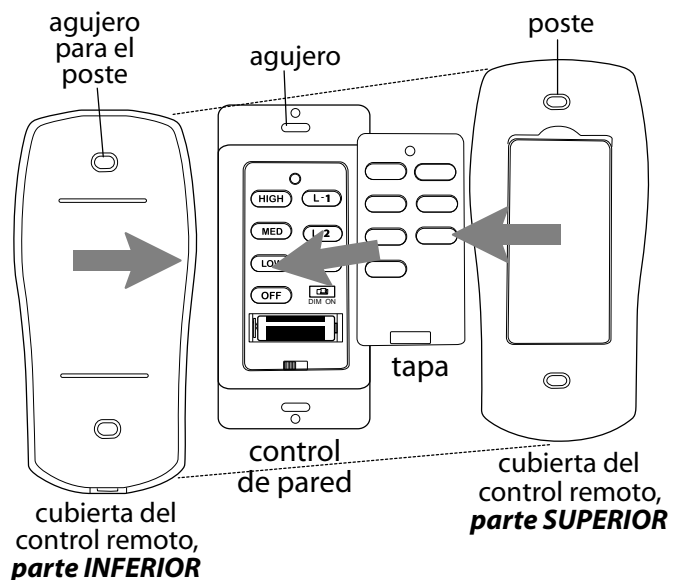


diagrama 3

11. Proceso de aprendizaje automático./El activar el código.

PRECAUCION: Se puede programar el control de pared/control remoto de mano para usar con varios receptores o ventiladores. Si no desea hacer esto, apagar el interruptor de cualquier otro receptor o ventilador programable.

Conectar la electricidad y luego, si se instaló el control de pared, poner el interruptor corredero en el control de pared en posición ON (encendido). Dentro de 60 segundos de haber prendido el control de pared, oprimir el botón **OFF** en el control de pared por 5 segundos (o hasta que la luz parpadee dos veces o las aspas del ventilador se pongan a girar).

Cortar la corriente de nuevo por 5 segundos como mínimo y luego volver a conectar la electricidad. Dentro de 60 segundos de haber conectado la electricidad, oprimir el botón **OFF** en el control remoto de mano por 5 segundos (o hasta que la luz parpadee dos veces o las aspas del ventilador se pongan a girar).

Poner a prueba las funciones de luz y ventilador para confirmar que se haya terminado el proceso de aprendizaje--ver la sección 13 a continuación.

12. Funcionamiento del control remoto.

Interruptor corredero **ON/OFF** - ENCIENDE y APAGA el control de pared **ON/OFF**(el interruptor no funciona en el control de mano)

Botón **HIGH** - pone el ventilador en velocidad ALTA

Botón **MED** - pone el ventilador en velocidad MEDIA

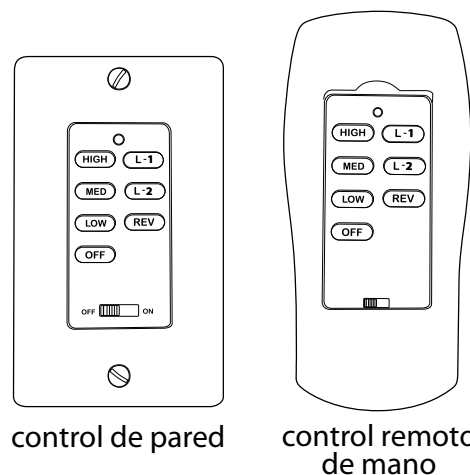
Botón **LOW** - pone el ventilador en velocidad BAJA

Botón **OFF** - APAGA el ventilador

Botón **L1** - (no se aplica para este ventilador)

Botón **L2** - ENCIENDE/APAGA el juego de luz cuando se oprime el botón una vez; al oprimir el botón y mantenerlo oprimido, se convierte en reductor de luz el juego de luz

Botón **REV** - se usa para CAMBIAR la dirección de las aspas (hay que poner el ventilador en posición **baja antes** de poner el ventilador en reversa)



control de pared

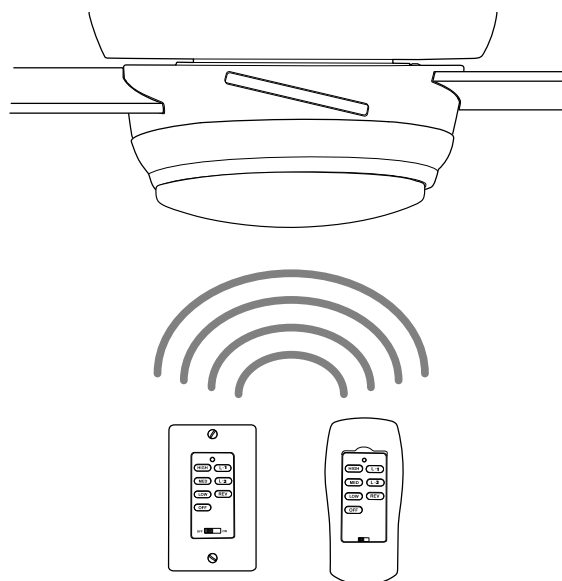
control remoto de mano

13. Verificación del funcionamiento del ventilador.

Se le recomienda poner el ventilador a prueba antes de terminar la instalación. Regresar la corriente de electricidad en el cortacircuitos y el interruptor de la luz (si se aplica). Poner a prueba el control de pared (instalación opcional) localizando el interruptor corredero de APAGADO y ENCENDIDO en el control de pared, luego ponerlo en posición de ENCENDIDO (ON). Poner a prueba la luz y la función del reductor de luz con el botón L2 y después poner a prueba las velocidades del ventilador. Luego, localizar el control remoto de mano. Poner a prueba la función de luz de APAGADO y ENCENDIDO con el botón L2; poner a prueba el funcionamiento del reductor de luz oprimiendo el botón L2 por más de 1 segundo. Verificar las velocidades del ventilador con los diferentes botones de velocidad. Si el control de pared y/o el control remoto de mano maneja todas las funciones de ventilador y luz, se han instalado bien las baterías. Si el control de pared y/o el control remoto de mano no controla(n) todas las funciones del ventilador/la luz, favor de referirse a la sección "Localización de fallas" para resolver cualquier asunto antes de comunicarse con el Servicio al Cliente.

El ventilador *tiene que* estar en posición BAJA antes de poner el ventilador en reversa. Regular la rotación de aspas con el botón de reversa para que se circule bien el aire dependiendo de las estaciones del año.

NOTA: Si el control de pared/control remoto de mano interfiere con otros aparatos, **cortar la corriente** y volver a repetir las instrucciones de la sección 11 más arriba.



Localización de fallas.

ADVERTENCIA: *El no desconectar el suministro de fuerza eléctrica antes de hacer localización de fallas para cualquier problema de instalación eléctrica puede causar lesiones graves.*

Problema: El ventilador no funciona.

Soluciones:

1. Inspeccionar el interruptor de pared del ventilador/control de pared.
2. Verificar que el interruptor de reversa del ventilador está en una sola posición, no en medio de las dos.
3. Verificar la instalación eléctrica del ventilador.
4. Es posible que no tuvo éxito el proceso de aprendizaje entre el ventilador, el control remoto de mano y, si se aplica, el control de pared y que no se activó el código. Desconectar la electricidad y repetir las instrucciones de la sección 11 (página 8).
5. Averiguar que la luz roja se prende en el control remoto de mano cuando se oprima un botón, lo cual significa que sirve la batería.

Problema: El juego de luz no se ilumina.

Soluciones:

1. Inspeccionar el interruptor de pared del ventilador/control de pared.
2. Verificar que se hizo correctamente la conexión de cables en la cubierta decorativa.
3. Asegurarse de que se conectaron bien los enchufes macho y hembra en el juego de luz LED.
4. Es posible que no tuvo éxito el proceso de aprendizaje entre el ventilador, el control remoto de mano y, si se aplica, el control de pared y que no se activó el código. Desconectar la electricidad y repetir las instrucciones de la sección 11 (página 8).

Problema: El ventilador funciona pero la luz no.

Soluciones:

1. Verificar que se hizo correctamente la conexión de cables en la cubierta decorativa.
2. Asegurarse de que se conectaron bien los enchufes macho y hembra en el juego de luz LED.

Problema: No funcionan el ventilador ni la luz con el control de pared (opcional)/control remoto de mano.

Soluciones:

1. Averiguar la carga de la batería en el control remoto de mano.
2. Es posible que no tuvo éxito el proceso de aprendizaje entre el ventilador, el control remoto de mano y, si se aplica, el control de pared y que no se activó el código. Desconectar la electricidad y repetir las instrucciones de la sección 11 (página 8).
3. Si se está usando el control de pared opcional, verificar si aún sirve la batería en el control de pared.

Problema: El ventilador se tambalea.

Soluciones:

1. Usar el juego para balancear las aspas incluido en uno de los paquetes de artículos de ferretería. *Si no se incluye un juego para balancear las aspas, llamar al Servicio al Cliente, 1-800-486-4892 para pedir uno.*
2. Con cuidado aflojar y bajar el bastidor del motor y averiguar que la placa de montaje está segura.
3. Averiguar que se giró completamente el bastidor del motor y que se quedaron bien apretados los tornillos para la placa de montaje.

Garantía.

GARANTIA LIMITADA DE POR VIDA DE

CRAFTMADE/ELLINGTON:

CRAFTMADE/ELLINGTON garantiza este ventilador al comprador original de grupo familiar para uso interior con las siguientes condiciones:

GARANTIA DE 1 AÑO: CRAFTMADE/ELLINGTON reemplazará o reparará cualquier ventilador que tenga funcionamiento deficiente debido a defectos en los materiales o trabajo manual. Comunicarse con el Servicio al Cliente de CRAFTMADE/ELLINGTON al **1-800-486-4892** para acordar el reenvío del ventilador. Devolver el ventilador, con los gastos de envío prepagados, a Craftmade/Ellington. Nosotros repararemos o reemplazaremos el ventilador y pagaremos los gastos de envío de regreso.

GARANTIA DE 5 AÑOS: CRAFTMADE/ELLINGTON

reemplazará o reparará sin costo al comprador original, cualquier motor de ventilador que no funcione de manera satisfactoria a causa de uso normal.

DEVOLVER EL MOTOR SOLAMENTE, los gastos de envío prepagados, a Craftmade/Ellington. Nosotros repararemos el motor al comprador o le enviaremos uno de reemplazo y Craftmade/Ellington pagará los gastos de envío de regreso. **GARANTIA LIMITADA DE 6 AÑOS hasta DE POR VIDA:** CRAFTMADE/ELLINGTON reparará el ventilador, sin costo al comprador original por el coste laboral, si el motor del ventilador no funciona satisfactoriamente a causa del uso normal. Las piezas que se utilizan en hacer la reparación serán facturadas al comprador a los precios prevaletientes en el momento de la reparación.

El comprador original será responsable de todos los gastos incurridos en sacar, reinstalar y enviar el producto para reparación.

Esta garantía no se aplica cuando el ventilador tenga daños por abuso mecánico, físico, eléctrico o por agua resultando en su mal funcionamiento. Se exenta específicamente el deterioro en el acabado u otras partes debido al tiempo o exposición al aire marino bajo esta garantía.

Ni Craftmade/Ellington ni el fabricante se harán responsables por lo que pasa por una instalación inadecuada o el uso impropio de este producto. La compañía no se hará responsable en ningún caso de ningún daño emergente por incumplimiento de esta o cualquier otra garantía expresada o implicada en absoluto. Esta limitación de daños emergentes no se aplicará en estados donde es prohibido.

Piezas de repuesto.

Para piezas o información, referirse al

"Inventario de piezas" en la página 2.

Servicio al cliente de Craftmade/Ellington:

1-800-486-4892

www.craftmadebrands.com

Craftmade

CEILING FANS

Est. 1985